

Scale (printed at 100%) : 1/48

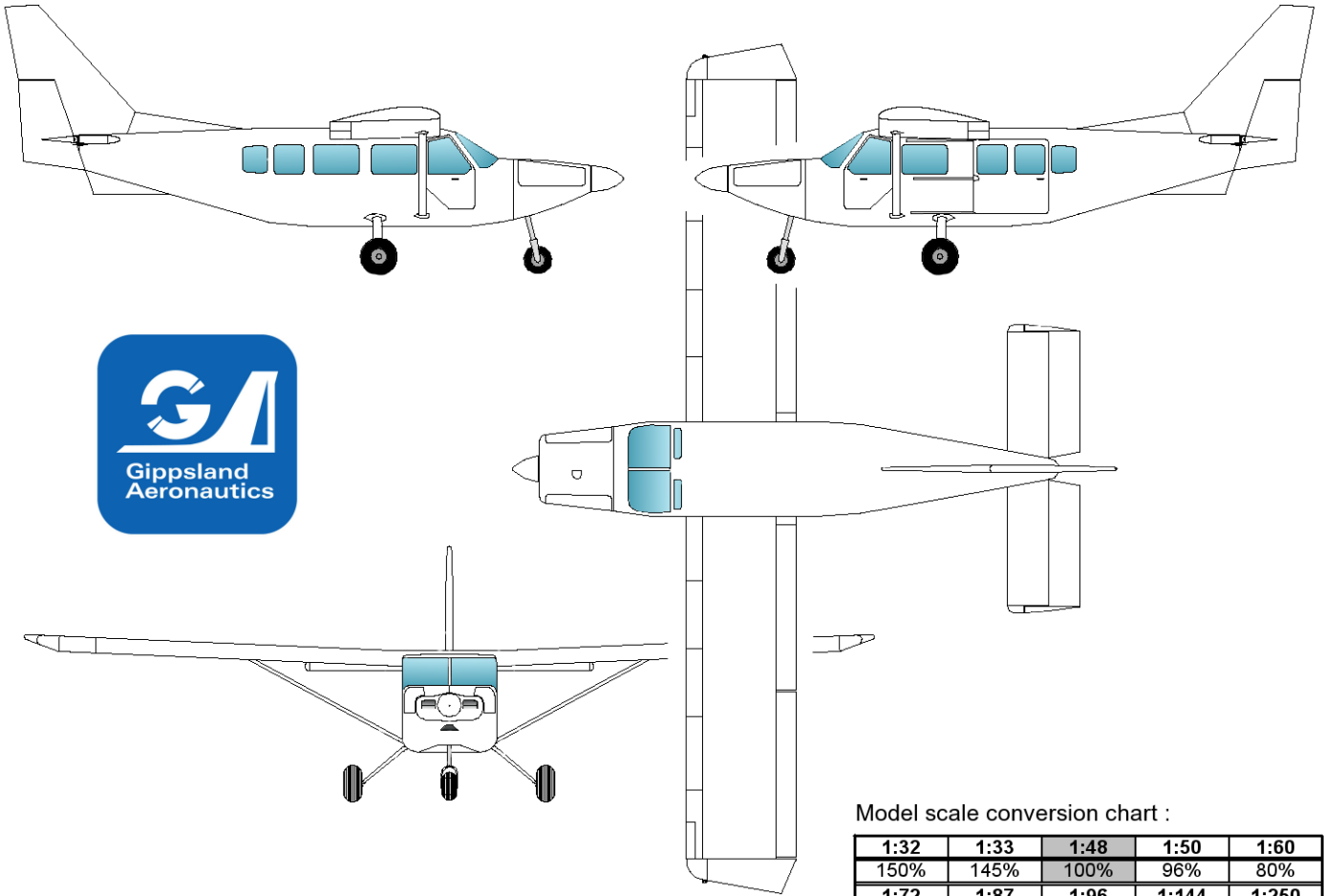
Gippsland GA-8 Airvan

Model design by GUIDO VAN ROY



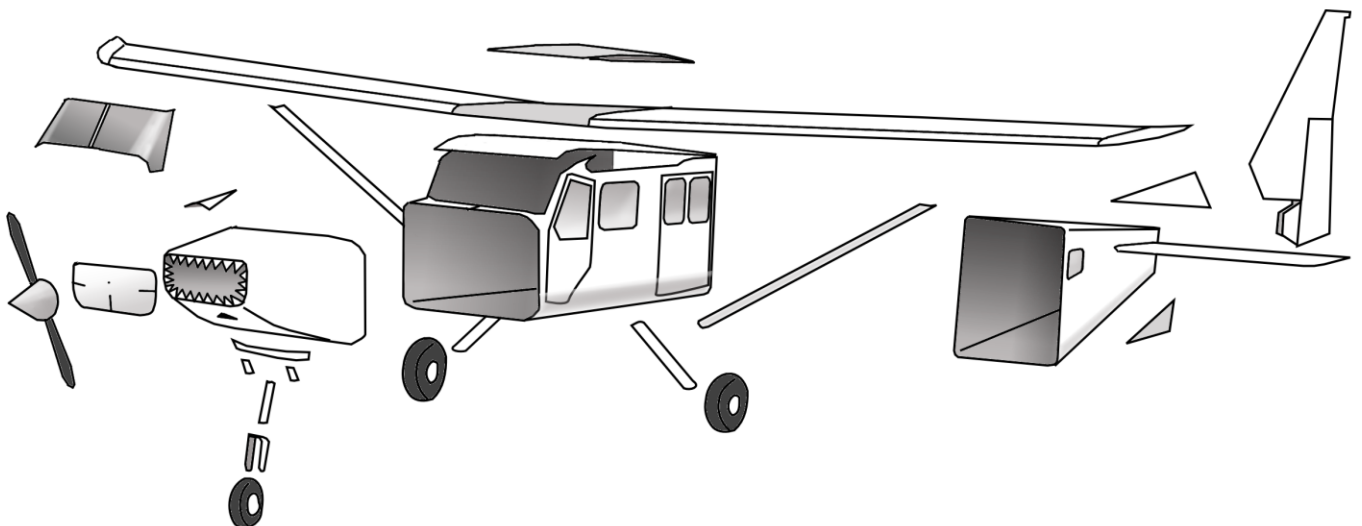
Instruction sheet

Page 1 of 1



Model scale conversion chart :

1:32	1:33	1:48	1:50	1:60
150%	145%	100%	96%	80%
1:72	1:87	1:96	1:144	1:250
67%	55%	50%	33%	19%



- Recommended building sequence :
1. wing, center fuselage, windshield
 2. rear fuselage, horizontal and vertical tail
 3. engine compartment
 4. detail parts

